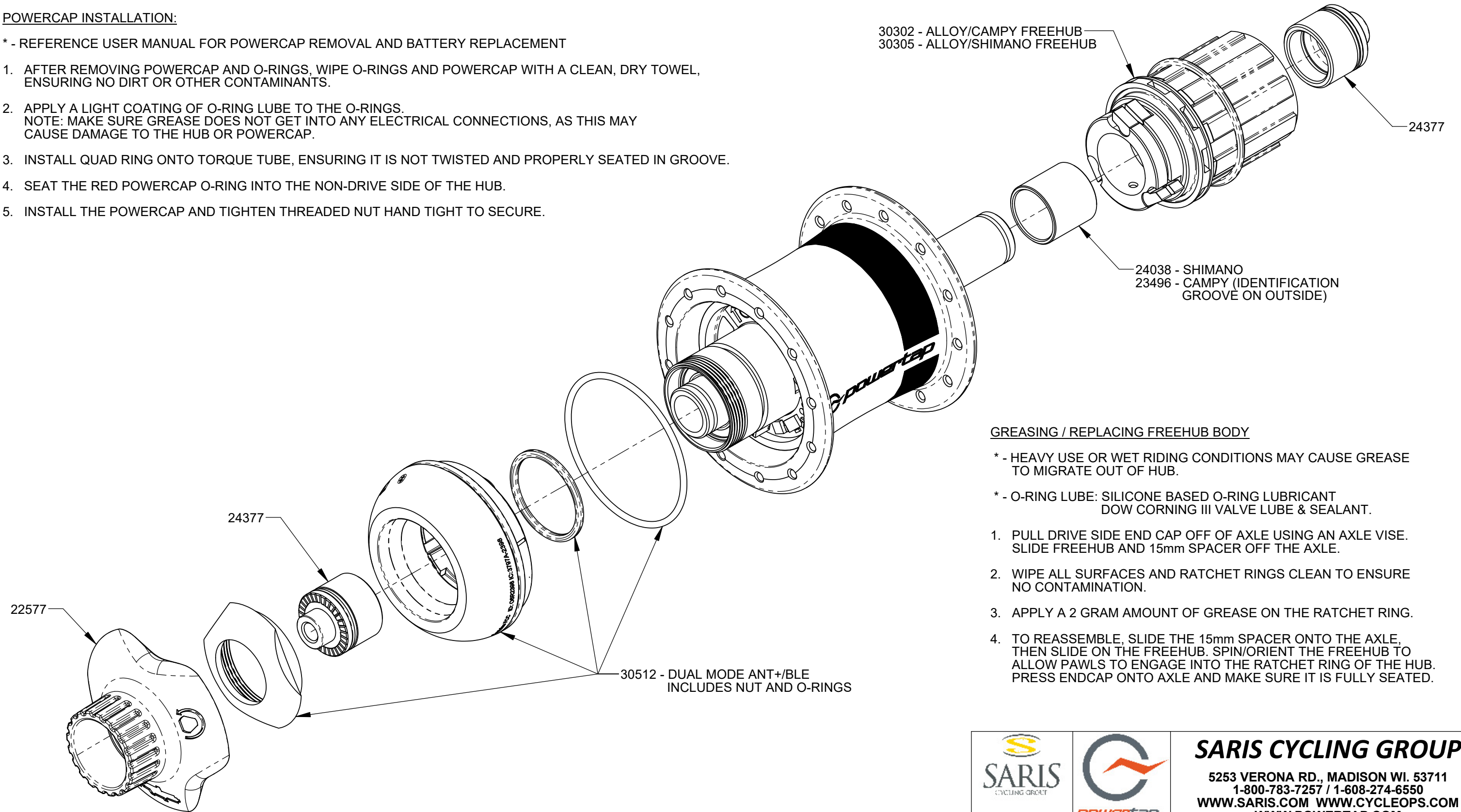


POWERCAP INSTALLATION:

* - REFERENCE USER MANUAL FOR POWERCAP REMOVAL AND BATTERY REPLACEMENT

1. AFTER REMOVING POWERCAP AND O-RINGS, WIPE O-RINGS AND POWERCAP WITH A CLEAN, DRY TOWEL, ENSURING NO DIRT OR OTHER CONTAMINANTS.
2. APPLY A LIGHT COATING OF O-RING LUBE TO THE O-RINGS.
NOTE: MAKE SURE GREASE DOES NOT GET INTO ANY ELECTRICAL CONNECTIONS, AS THIS MAY CAUSE DAMAGE TO THE HUB OR POWERCAP.
3. INSTALL QUAD RING ONTO TORQUE TUBE, ENSURING IT IS NOT TWISTED AND PROPERLY SEATED IN GROOVE.
4. SEAT THE RED POWERCAP O-RING INTO THE NON-DRIVE SIDE OF THE HUB.
5. INSTALL THE POWERCAP AND TIGHTEN THREADED NUT HAND TIGHT TO SECURE.



GREASING / REPLACING FREEHUB BODY

* - HEAVY USE OR WET RIDING CONDITIONS MAY CAUSE GREASE TO MIGRATE OUT OF HUB.

* - O-RING LUBE: SILICONE BASED O-RING LUBRICANT
DOW CORNING III VALVE LUBE & SEALANT.

1. PULL DRIVE SIDE END CAP OFF OF AXLE USING AN AXLE VISE. SLIDE FREEHUB AND 15mm SPACER OFF THE AXLE.
2. WIPE ALL SURFACES AND RATCHET RINGS CLEAN TO ENSURE NO CONTAMINATION.
3. APPLY A 2 GRAM AMOUNT OF GREASE ON THE RATCHET RING.
4. TO REASSEMBLE, SLIDE THE 15mm SPACER ONTO THE AXLE, THEN SLIDE ON THE FREEHUB. SPIN/ORIENT THE FREEHUB TO ALLOW PAWLS TO ENGAGE INTO THE RATCHET RING OF THE HUB. PRESS ENDCAP ONTO AXLE AND MAKE SURE IT IS FULLY SEATED.



SARIS CYCLING GROUP

5253 VERONA RD., MADISON WI. 53711
1-800-783-7257 / 1-608-274-6550
WWW.SARIS.COM WWW.CYCLEOPS.COM
WWW.POWERTAP.COM



© SARIS CYCLING GROUP 2014
THE INFORMATION CONTAINED IN THIS DRAWING IS THE SOLE CONFIDENTIAL PROPERTY OF SARIS CYCLING GROUP ANY REPRODUCTION IN PART OR WHOLE WITHOUT THE WRITTEN PERMISSION OF SARIS CYCLING GROUP IS PROHIBITED.

TITLE: **23090 - G3 HUB ASSEMBLY**